

MADE  
IN  
THE  
USA



MADE  
IN  
THE  
USA

Tell the Story™ with KingMill Structure Kits

WWW.KINGMILL.COM - 434.9779.7280  
Reference photos available on our web site.

send \$1 for Catalog  
203 Camellia Dr. - Charlottesville, VA 22903-4208

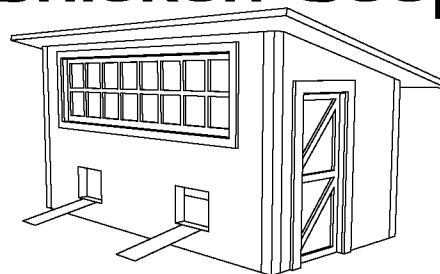
Craftsman model, keep away from children,  
contains small parts, choking hazard

Copyright © 2006 KingMill Enterprises, LLC - all rights reserved

HO - Scale

Assembly Instructions

# Chicken Coop

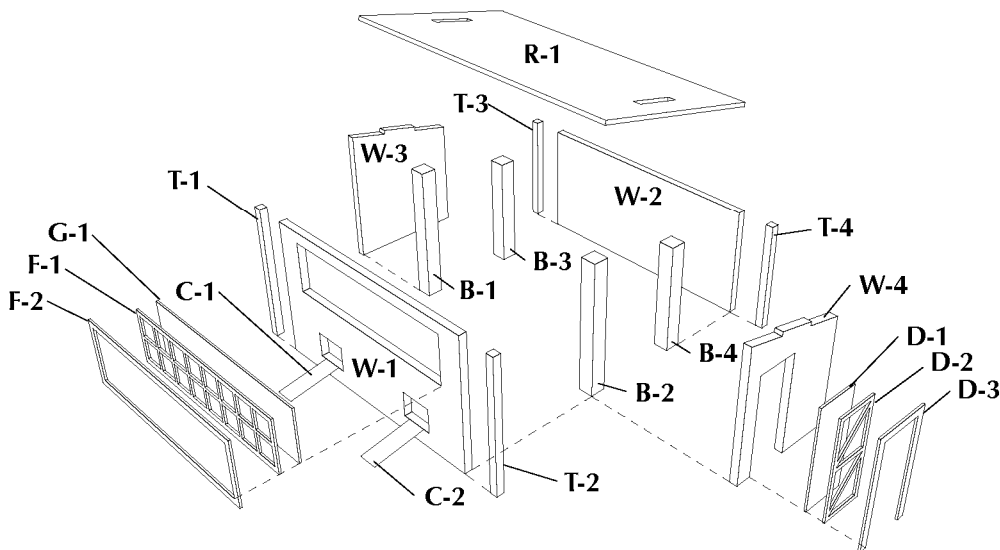


model  
CC-HO



WWW.KINGMILL.COM

adult hobby product - not intended for children



Not to Scale

### Assembly Steps:

1. Glue bracing B-1 thru B-4 to walls W-1 & W-2.
2. Glue trim T-1 thru T-4 to walls W-1 & W-2.
3. Glue walls W-3 & W-4 to walls W-1 & W-2 and let dry.
4. Paint walls your choice of color.
5. Paint F-1, F-2 and D-1 thru D-3 before removing from carrier sheet. A light coat of paint using an airbrush works best. Painting tips can be downloaded from the Resources section of our website: [www.kingmill.com](http://www.kingmill.com)
6. Remove window and door parts from carrier sheet using a fresh hobby knife.
7. Glue D-2 to door D-1.
8. Glue glass G-1 to frame F-1.
9. Glue door into wall W-4.
10. Glue window into wall W-1.
11. Glue frames D-3 and F-2 around door and window.
12. Glue roof R-1 onto walls.

13. Glue brown paper roofing strips to roof, starting at the low end of the roof and overlapping strips by 1/3.
14. Paint roofing paper dark gray.
15. Streak roof with light gray chalk from high end to low end. Use sparingly.
16. Dust base of foundation with soil colored chalk. Use sparingly.
17. Lightly sand the back of the sign to make it very thin.
18. Glue sign to back of coop using a small amount of white glue.
19. Place model on layout and use small piece of scenic foam around the buildings base to blend it into the scene.

If you have any questions or suggestions regarding this kit please give me a call or drop me an e-mail.

Thank you, Chris Jessee